

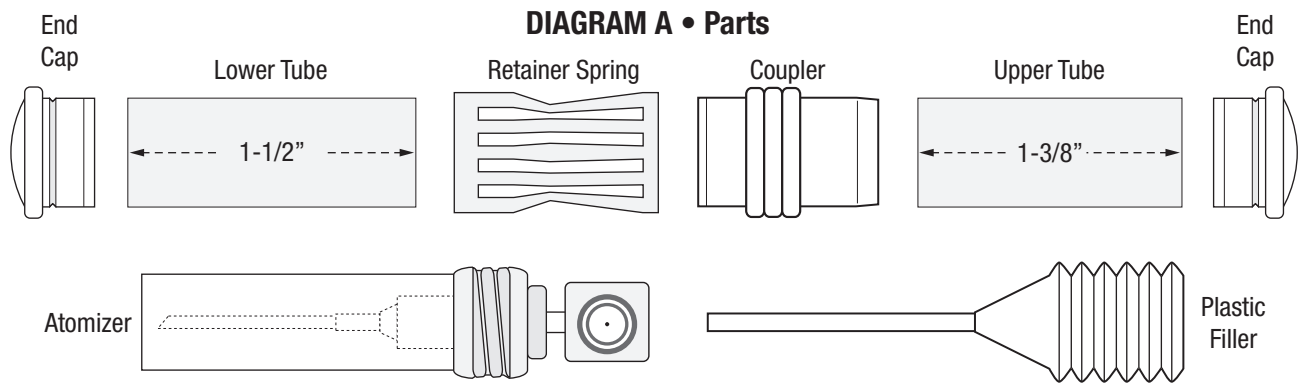
Perfume Atomizer Kit — Purse Style

KIT FEATURES

- 24kt Gold Plating Finish
- Unique design
- Overall length 3-1/4" or 3-1/2"
- Reservoir able to hold any liquid

REQUIRED ACCESSORIES

- 7mm Pen Mandrel
- 3-piece Bushing Set—#PKATOM-BU
- 15mm HSS Drill Bit—#PKATOM-DB
- Universal Pen Blank Squaring Jig
- Insta-cure glue (cyano acrylate) or 2-part epoxy glue



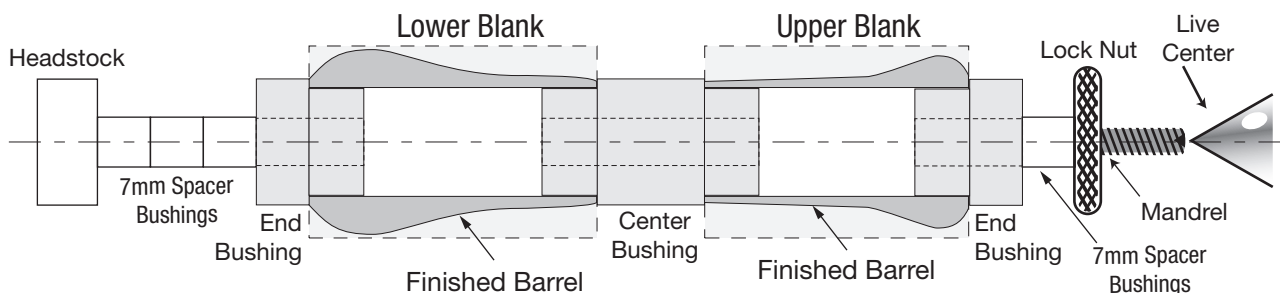
PREPARING THE BLANKS

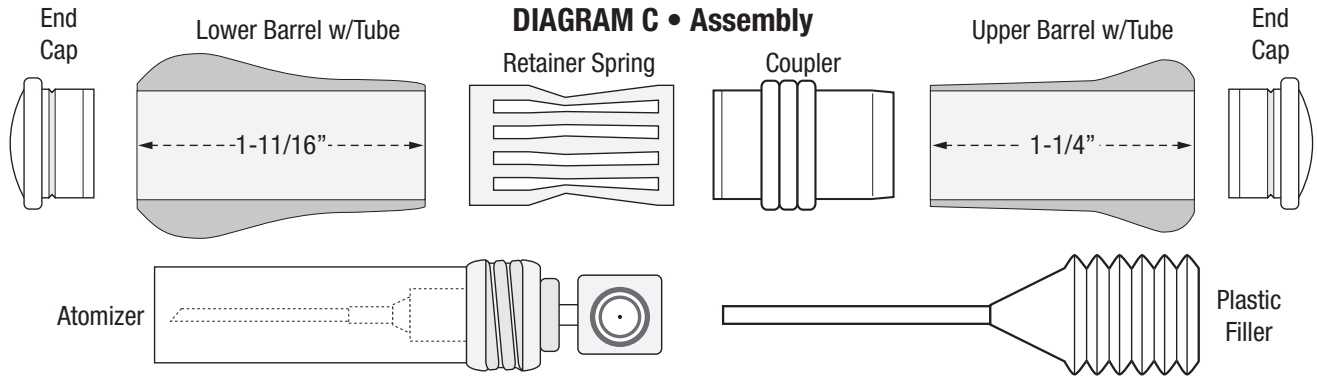
- From 7/8" or larger square stock cut blanks to the length of the tubes plus 1/16".
- Drill a centered hole lengthwise through each blank. Use a 15mm HSS drill bit—#PKATOM-DB
- Spread the glue evenly on the outside of the tube and insert into the blank with a twisting motion. Center the tube within the blank and allow to dry.
- When the glue dries, square the ends of the blank. Use a universal pen blank squaring jig to square the ends of the blanks. Take wood down to brass tubes.

TURNING THE BLANKS

- Install a 7mm pen making mandrel on the lathe, and live center onto tailstock. Refer to **DIAGRAM B**.
- Place spacer bushings on the mandrel. Place one end bushing on the mandrel, followed by the lower blank.
- Insert the center bushing on mandrel, followed by the upper blank. Insert the second end bushing.
- Thread the lock nut hand tight onto the 7mm mandrel. Do not overtighten, it could damage the mandrel.
- Bring tailstock snug to the mandrel, lock it into place. Tighten the lock nut for turning.
- Using sharp tools, turn the blank down; sand it to the size of the bushings.
- Finish the blank with your choice of polish.

DIAGRAM B • Turning The Blanks





ASSEMBLY

- **NOTE:** The PKATOM2 has convex ends and a multiple ring design on the coupling, and a ring on each end.
- **HINTS:** For best results, use PSI Pen Assembly Press (#PENPRESS4) when assembling the perfume atomizer.
- Line up atomizer parts according to the **DIAGRAM C**.
- Press an end piece into the top of the short blank and the bottom of the long blank.
- Press the short end of the coupling into the open end of the long blank.
- Insert the retainer spring flat end first into the long blank past the coupling through to the bottom.
- Fill the atomizer with your perfume or other liquid using the plastic filler.
- Insert the atomizer into the long blank where the retainer will secure it.
- Push two halves together.

BUSHINGS

DIAGRAM D • PKATOM-BU

